



E-mail: sales@win-tact.com.tw

Win-Tact Electronics Corp.
For
Power Supply Solutions



WIN-TACT ELECTRONICS CORP.

萬加電子股份有限公司


新北市土城區忠承路105號2樓


2F., No.105, ZHONGCHENG Rd,


TUCHENG DIST., NEW TAIPEI CITY, TAIWAN


TEL: +886-2-8227-8698


E-mail: sales@win-tact.com.tw


Name of Series:	Model Name	Output			Efficiency (%)	Reverse protection	UVLO	SAFETY EMI
		Voltage(V)	Current(A)	Power(W)				
 <p>Dc/Dc Single O/P 60W DC I/P : 38 ~ 57.6Vdc L x W x H: 78 x 65 x 28mm</p>	WP113D12-12	V = 12V	0 ~ 5A	60W	85%		✓	N/A (Meet only) Class B
	WP113D12-18	V = 18.5V	0 ~ 3.25A		85%		✓	
	WP113D12-24	V = 24V	0 ~ 2.5A		85%		✓	
	WP113D11	V1 = 12V	0 ~ 5A	60W	85%		✓	N/A (Meet only) Class B
V1 or V2 Selectable	V2 = 24V	0 ~ 2.5A	85%			✓		


Name of Series:	Model Name	Output			Efficiency (%)	Reverse protection	UVLO	SAFETY EMI
		Voltage(V)	Current(A)	Power(W)				
 <p>Dc/Dc Single O/P 60W (in process) DC I/P : 10 ~ 72Vdc L x W x H: 101.6 x 50.8 x 35mm</p>	WP136D11-12	V = 12V	0 ~ 5A	60W	85%	✓	✓	N/A (Meet only) Class A
	WP136D11-24	V = 24V	0 ~ 2.5A		85%	✓	✓	
	WP136D11-48	V = 48V	0 ~ 1.25A		85%	✓	✓	


Name of Series:	Model Name	Output			Efficiency (%)	Reverse protection	UVLO	SAFETY EMI
		Voltage(V)	Current(A)	Power(W)				
 <p>Dc/Dc Single O/P 60W (in process) DC I/P : 17 ~ 36Vdc L x W x H: 101.6 x 50.8 x 35mm</p>	WP136D21-12	V = 12V	0 ~ 5A	60W	85%	✓	✓	N/A (Meet only) Class A
	WP136D21-24	V = 24V	0 ~ 2.5A		85%	✓	✓	
	WP136D21-48	V = 48V	0 ~ 1.25A		85%	✓	✓	


Name of Series:	Model Name	Output			Efficiency (%)	Reverse protection	UVLO	SAFETY EMI
		Voltage(V)	Current(A)	Power(W)				
 <p>Dc/Dc Single O/P 100W (in process) DC I/P : 36 ~ 72Vdc L x W x H: 101.6 x 50.8 x 35mm</p>	WP136D31-12	V = 12V	0 ~ 8.33A	100W	85%	✓	✓	N/A (Meet only) Class A
	WP136D31-24	V = 24V	0 ~ 4.17A		85%	✓	✓	
	WP136D31-48	V = 48V	0 ~ 2.08A		85%	✓	✓	


Name of Series:	Model Name	Output			Efficiency (%)	Reverse protection	UVLO	SAFETY EMI
		Voltage(V)	Current(A)	Power(W)				
 <p>Dc/Dc Single O/P 120W DC I/P : 40 ~ 60Vdc L x W x H: 127 x 76 x 35mm</p>	WP139D11-12	V = 12V	0 ~ 10A	120W Peak 150W	85%	✓	✓	N/A (Meet only) Class B
	WP139D11-24	V = 24V	0 ~ 5A		85%	✓	✓	
	WP139D11-30	V = 30V	0 ~ 4A		85%	✓	✓	


Name of Series:	Model Name	Output			Efficiency (%)	Reverse protection	UVLO	SAFETY EMI
		Voltage(V)	Current(A)	Power(W)				
 <p>NEW</p> <p>Dc/Dc Single O/P 200W</p> <p>DC I/P : 40 ~ 60Vdc L x W x H: 127 x 76 x 36mm</p>	WP150D21-12	V = 12V	0 ~ 16.67A	200W Peak 240W	88%	✓	✓	N/A (Meet only) Class B


Name of Series:	Model Name	Output			Efficiency (%)	Reverse protection	UVLO	SAFETY EMI
		Voltage(V)	Current(A)	Power(W)				
 <p>NEW</p> <p>Dc/Dc Single O/P 300W</p> <p>DC I/P : 40 ~ 60Vdc L x W x H: 127 x 76 x 36mm</p> <p>Open Frame –(Nxx)</p> <p><small>ADJ series can choose one of Vo/p total fixed at 300W. O/P max. Watts(Vo*Io) in following ranges 30ADJ:+24V/12.5A~+35V/8.57A</small></p>	WP150D21-30ADJ-(+24V)	V = 24V	0 ~ 12.5A	300W Fan less 200W	90%	✓	✓	N/A (Meet only) Class B
	WP150D21-30ADJ-(+30V)	V = 30V	0 ~ 10A		90%	✓	✓	


Name of Series:	Model Name	Output			Efficiency (%)	Reverse protection	UVLO	SAFETY EMI
		Voltage(V)	Current(A)	Power(W)				
 <p>NEW</p> <p>Dc/Dc Single O/P 300W</p> <p>DC I/P : 40 ~ 60Vdc L x W x H: 127 x 80 x 40mm</p> <p>Enhanced Model (Fan Less) Enclosure Frame –(Mxx)</p> <p><small>ADJ series can choose one of Vo/p total fixed at 300W. O/P max. Watts(Vo*Io) in following ranges 30ADJ:+24V/12.5A~+35V/8.57A</small></p>	WP150D11-30ADJ-(+24V)	V = 24V	0 ~ 12.5A	300W Fan less 250W	90%	✓	✓	UL/cUL CE/FCC CB Class B
	WP150D11-30ADJ-(+30V)	V = 30V	0 ~ 10A		90%	✓	✓	


Name of Series:	Model Name	Output			Efficiency (%)	Reverse protection	UVLO	SAFETY EMI
		Voltage(V)	Current(A)	Power(W)				
 <p>AC/DC or Dc/Dc Single O/P 90W</p> <p>AC I/P : 40 ~ 90Vac DC I/P : 40 ~ 130Vdc L x W x H: 127 x 76 x 36mm</p>	WP138F11-12	V = 12V	0 ~ 7.5A	90W Peak 100W	85%	✓	Optional	UL/cUL FCC Class B
	WP138F11-30	V = 30V	0 ~ 3A		85%	✓	Optional	N/A (Meet only) Class B

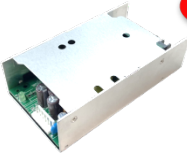
Name of Series:	Model Name	Output			Efficiency (%)	Reverse protection	UVLO	SAFETY EMI
		Voltage(V)	Current(A)	Power(W)				
 <p>AC/DC or Dc/Dc Single O/P 150W AC I/P : 40 ~ 90Vac DC I/P : 40 ~ 130Vdc L x W x H: 127 x 76 x 36mm</p>	WP138F21-12	V = 12V	0 ~ 10A	120W	85%	✓	Optional	N/A (Meet only) Class B


Name of Series:	Model Name	Output			Efficiency (%)	+5Vsb	12Vaux	SAFETY EMI
		Voltage(V)	Current(A)	Power(W)				
 <p>LTE/Industrial SPS 50W AC I/P : 90 ~ 264Vac L x W x H: 151 x 44 x 35mm</p>	WP216F11	V1 = 5V	0 ~ 4A/(5A)	50W Peak 75W	80%			UL/cUL Class B
V2 = 12V	0 ~ 3A/(4.5A)							


Name of Series:	Model Name	Output			Efficiency (%)	+5Vsb	12Vaux	SAFETY EMI
		Voltage(V)	Current(A)	Power(W)				
 <p>3" x 5" Single O/P 120W AC I/P : 40 ~ 264Vac L x W x H: 127 x 76 x 34.5mm</p>	WP513F11-32	V = 32V	0 ~ 3.75A	120W	85%			N/A (Meet only) Class B


Name of Series:	Model Name	Output			Efficiency (%)	Reverse protection	UVLO	SAFETY EMI
		Voltage(V)	Current(A)	Power(W)				
 <p>3" x 6" Single O/P 150W None PFC AC I/P : 44 ~ 90Vac L x W x H: 150 x 80 x 40mm</p>	WP138F31-30	V = 30V	0 ~ 5A	Fan less 150W Peak 180W	85%	✓	✓	UL/cUL CB Class B


Name of Series:	Model Name	Output			Efficiency (%)	Reverse protection	UVLO	SAFETY EMI
		Voltage(V)	Current(A)	Power(W) V1+V2				
 <p>3" x 6" Dual O/P 150W None PFC AC I/P : 44 ~ 90Vac L x W x H: 150 x 80 x 40mm</p>	WP138F32 -3012	V1 = 30V	0 ~ 5A	Fan less 150W Peak 180W	85%	✓	✓	UL/cUL CB Class B
V2 = 12V	0 ~ 2A							


Name of Series:	Model Name	Output			Efficiency (%)	Reverse protection	UVLO	SAFETY EMI
		Voltage(V)	Current(A)	Power(W)				
 <p>NEW</p> <p>3" x 6" Single O/P 150W With PFC</p> <p>AC I/P : 44 ~ 90Vac L x W x H: 150 x 80 x 40mm</p>	WP223F31-30	V = 30V	0 ~ 5A	Fan less 150W Peak 180W	85%	✓	✓	UL/cUL CB Class B


Name of Series:	Model Name	Output			Efficiency (%)	Reverse protection	UVLO	SAFETY EMI
		Voltage(V)	Current(A)	Power(W) V1+V2				
 <p>NEW</p> <p>3" x 6" Dual O/P 150W With PFC</p> <p>AC I/P : 44 ~ 90Vac L x W x H: 150 x 80 x 40mm</p>	WP223F32-3012	V1 = 30V	0 ~ 5A	Fan less 150W Peak 180W	85%	✓	✓	UL/cUL CB Class B
		V2 = 12V	0 ~ 2A					

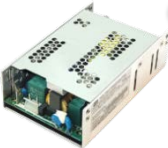
Name of Series:	Model Name	Output			Efficiency (%)	+5Vsb	12Vaux	SAFETY EMI
		Voltage(V)	Current(A)	Power(W)				
 <p>3" x 5" Single O/P 200W</p> <p>AC I/P : 90 ~ 264Vac L x W x H: 127 x 76 x 36mm</p>	WP513F12-12	V = 12V	0 ~ 16.6A	200W Fan less 120W	85%		✓	UL/cUL Class B
	WP513F12-24	V = 24V	0 ~ 8.33A		86%		✓	
	WP513F12-48	V = 48V	0 ~ 4.15A		88%		✓	


Name of Series:	Model Name	Output			Efficiency (%)	+5Vsb	12Vaux	SAFETY EMI
		Voltage(V)	Current(A)	Power(W) V1+V2				
 <p>3" x 5" Dual O/P 200W</p> <p>AC I/P : 90 ~ 264Vac L x W x H: 127 x 76 x 36mm</p>	WP513F13-1205	V1 = 12V	0 ~ 16.6A	200W Fan less 120W	83%		✓	UL/cUL CE/CB Class B
		V2 = 5V	0 ~ 13A					
	WP513F13-2405	V1 = 24V	0 ~ 8.33A		84%		✓	
		V2 = 5V	0 ~ 11A					
	WP513F13-2412	V1 = 24V	0 ~ 8.33A		85%		✓	
		V2 = 12V	0 ~ 5.0A					
	WP513F13-4805	V1 = 48V	0 ~ 4.15A		85%		✓	
		V2 = 5V	0 ~ 5.0A					
WP513F13-4812	V1 = 48V	0 ~ 4.15A	86%		✓			
	V2 = 12V	0 ~ 2.0A						


Name of Series:	Model Name	Output			Efficiency (%)	+5Vsb	12Vaux	SAFETY EMI
		Voltage(V)	Current(A)	Power(W) V1+V2+V3				
 <p>3" x 5" Triple O/P 200W AC I/P : 90 ~ 264Vac L x W x H: 127 x 76 x 36mm</p>	WP513F13-1235	V1 = 12V	0 ~ 16.6A	200W Fan less 120W	83%		UL/cUL Class B	
		V2 = 3.3V	0 ~ 13A					
		V3 = 5V	0 ~ 13A					
	WP513F13-24125	V1 = 24V	0 ~ 8.33A	200W Fan less 120W	83%		N/A (Meet only) Class B	
		V2 = 12V	0 ~ 5A					
		V3 = 5V	0 ~ 11A					


Name of Series:	Model Name	Output			Efficiency (%)	+5Vsb	12Vaux	SAFETY EMI
		Voltage(V)	Current(A)	Power(W)				
 <p>3" x 5" Four O/P 200W AC I/P : 90 ~ 264Vac L x W x H: 127 x 76 x 36mm</p>	WP513F14-12-5	V1 = 12V	0 ~ 16.6A	200W Fan less 120W	83%		UL/cUL Class B	
		V2 = 3.3V	0 ~ 13A					
		V3 = 5V	0 ~ 13A					
		V4 = -5V	0 ~ 1.0A					
	WP513F14-12-12	V1 = 12V	0 ~ 16.6A	200W Fan less 120W	83%			
		V2 = 3.3V	0 ~ 13A					
		V3 = 5V	0 ~ 13A					
		V4 = -12V	0 ~ 1.0A					


Name of Series:	Model Name	Output			Efficiency (%)	+5Vsb	12Vaux	SAFETY EMI
		Voltage(V)	Current(A)	Power(W)				
 <p>3" x 5" Single O/P 300W AC I/P : 90 ~ 264Vac L x W x H: 127 x 76 x 36mm Open Frame -(Nxx) ADJ series can choose one of Vo/p total fixed at 300W. O/P max. Watts(Vo*Io) in following ranges 24ADJ:+20V/15.00A~+24V/12.50A 36ADJ:+28V/10.70A~+36V/ 8.33A 48ADJ:+48V/ 6.25A~+56V/ 5.35A</p>	WP213F11-12	V = 12V	0 ~ 25A	300W Fan less 200W	90%		UL/cUL CE/FCC CB Class B	
	WP213F11-24	V = 24V	0 ~ 12.5A		91%			
	WP213F11-36	V = 36V	0 ~ 8.33A		91%			
	WP213F11-48	V = 48V	0 ~ 6.25A		92%			
	WP213F11-56	V = 56V	0 ~ 5.35A		92%			
	WP213F11-24ADJ-(+24V)	V = 24V	0 ~ 12.5A		92%			
	WP213F11-36ADJ-(+30V)	V = 30V	0 ~ 10A		92%			
	WP213F11-48ADJ-(+54V)	V = 54V	0 ~ 5.55A		92%			


Name of Series:	Model Name	Output			Efficiency (%)	+5Vsb	12Vaux	SAFETY EMI
		Voltage(V)	Current(A)	Power(W)				
 <p>3" x 5" Single O/P 300W AC I/P : 90 ~ 264Vac L x W x H: 127 x 76 x 40mm Enhanced Model (Fan Less) Enclosure Frame -(Mxx) ADJ series can choose one of Vo/p total fixed at 300W. O/P max. Watts(Vo*Io) in following ranges 24ADJ:+20V/15.00A~+24V/12.50A 36ADJ:+28V/10.70A~+36V/ 8.33A 48ADJ:+48V/ 6.25A~+56V/ 5.35A</p>	WP213F11-24ADJ-(+24V)	V = 24V	0 ~ 12.5A	300W Fan less 270W	90%		UL/cUL CE/FCC CB Class B In process	
	WP213F11-36ADJ-(+30V)	V = 30V	0 ~ 10A		90%			
	WP213F11-48ADJ-(+54V)	V = 54V	0 ~ 5.55A		90%			


Name of Series:	Model Name	Output			Efficiency (%)	+5Vsb	12Vaux	SAFETY EMI
		Voltage(V)	Current(A)	Power(W) V1+V2				
 <p>NEW</p> <p>3" x 5" Dual O/P 300W</p> <p>AC I/P : 90 ~ 264Vac L x W x H: 127 x 76 x 36mm</p>	WP213F12-1205	V1 = 12V	0 ~ 25A	300W Fan less 200W	88%			UL/cUL CE/FCC CB Class B
		V2 = 5V	0 ~ 13A					
	WP213F12-2405	V1 = 24V	0 ~ 12.5A		88%			
		V2 = 5V	0 ~ 11A					
	WP213F12-2412	V1 = 24V	0 ~ 12.5A		88%			
		V2 = 12V	0 ~ 5.0A					
	WP213F12-3605	V1 = 36V	0 ~ 8.33A		90%			
		V2 = 5V	0 ~ 5.0A					
	WP213F12-3612	V1 = 36V	0 ~ 8.33A		90%			
		V2 = 12V	0 ~ 2.0A					
WP213F12-4805	V1 = 48V	0 ~ 6.25A	90%					
	V2 = 5V	0 ~ 5.0A						
WP213F12-4812	V1 = 48V	0 ~ 6.25A	90%					
	V2 = 12V	0 ~ 2.0A						
WP213F12-5612	V1 = 56V	0 ~ 5.35A	90%					
	V2 = 12V	0 ~ 2.0A						


Name of Series:	Model Name	Output			Efficiency (%)	+5Vsb	12Vaux	SAFETY EMI
		Voltage(V)	Current(A)	Power(W)				
 <p>NEW</p> <p>3" x 5" Single O/P 300W</p> <p>AC I/P : 90 ~ 264Vac L x W x H: 127 x 76 x 36mm</p>	WP213F13-12	V = 12V	0 ~ 25A	300W Fan less 200W	90%	✓	✓	UL/cUL CE/FCC CB Class B
	WP213F13-24	V = 24V	0 ~ 12.5A		91%	✓	✓	N/A (Meet only) Class B
	WP213F13-36	V = 36V	0 ~ 8.33A		91%	✓	✓	
	WP213F13-48	V = 48V	0 ~ 6.25A		92%	✓	✓	
	WP213F13-56	V = 56V	0 ~ 5.35A		92%	✓	✓	


Name of Series:	Model Name	Output			Efficiency (%)	+5Vsb	12Vaux	SAFETY EMI
		Voltage(V)	Current(A)	Power(W)				
 <p>NEW</p> <p>3" x 5" Single O/P 300W</p> <p>AC I/P : 90 ~ 264Vac L x W x H: 127 x 76 x 36mm</p> <p>With Redundancy (Passive)</p>	WP213F13-12 -(R41)	V = 12V	0 ~ 25A	300W Fan less 200W	90%	✓	✓	UL/cUL CE/FCC CB Class B

Name of Series:	Model Name	Output			Efficiency (%)	+5Vsb	12Vaux	SAFETY EMI
		Voltage(V)	Current(A)	Power(W)				
 <p>NEW</p> <p>3" x 5" Single O/P 400W</p> <p>AC I/P : 90 ~ 264Vac L x W x H: 127 x 76 x 40mm</p> <p>Enhanced Model (Fan Less)</p>	WP213F11- 400-56	V = 56V	0 ~ 5A	400W Fan less 280W	90%			N/A (Meet only) Class B

Name of Series:	Model Name	Output			Efficiency (%)	+5Vsb	12Vaux	SAFETY EMI
		Voltage(V)	Current(A)	Power(W)				
 <p>NEW</p> <p>3" x 6" Single O/P 450W</p> <p>AC I/P : 90 ~ 264Vac L x W x H: 150 x 80 x 40mm ADJ series can choose one of Vo/p total fixed at 450W. O/P max. Watts(Vo*Io) in following ranges 24ADJ:+20V/22.50A~+28V/16.07A 30ADJ:+28V/16.07A~+35V/12.86A 48ADJ:+48V/ 9.37A~+56V/ 8.04A</p>	WP225F11-450 -24ADJ-(+24V)	V = 24V	0 ~ 18.75A	450W Fan less 350W	90%		N/A (Meet only) Class B	
	WP225F11-450 -30ADJ-(+30V)	V = 30V	0 ~ 15A		90%			
	WP225F11-450 -48ADJ-(+54V)	V = 54V	0 ~ 8.33A		90%			

Name of Series:	Model Name	Output			Efficiency (%)	+5Vsb	12Vaux	SAFETY EMI
		Voltage(V)	Current(A)	Power(W) V1+V2				
 <p>NEW</p> <p>3" x 6" Dual O/P 450W</p> <p>AC I/P : 90 ~ 264Vac L x W x H: 150 x 80 x 40mm ADJ series can choose one of V1 total fixed at 450W. V1 O/P max. Watts(Vo*Io) in following ranges 2412ADJ:+20V/22.50A~+28V/16.07A 3012ADJ:+28V/16.07A~+35V/12.86A 4812ADJ:+48V/ 9.37A~+56V/ 8.04A</p>	WP225F12-450 -2412ADJ-(+24V)	V1 = 24V	0 ~ 18.75A	450W Fan less 350W	90%		N/A (Meet only) Class B	
		V2 = 12V	0 ~ 4A					
	WP225F12-450 -3012ADJ-(+30V)	V1 = 30V	0 ~ 15A		90%			
		V2 = 12V	0 ~ 4A					
	WP225F12-450 -4812ADJ-(+54V)	V1 = 54V	0 ~ 8.33A		90%			
		V2 = 12V	0 ~ 4A					

Name of Series:	Model Name	Output			Efficiency (%)	+5Vsb	12Vaux	SAFETY EMI
		Voltage(V)	Current(A) (Fan less/Force air)	Power(W)				
 <p>NEW</p> <p>4.5"x11"x1.7" Dual O/P 660W Peak 750W(in process)</p> <p>AC I/P : 90 ~ 264Vac L x W x H: 274 x 115 x 43mm ADJ series can choose one of V1 total fixed at 660W. V1 O/P max. Watts(Vo*Io) in following ranges 24ADJ:+22V/30.00A~+28V/23.60A 30ADJ:+28V/23.60A~+35V/18.85A 48ADJ:+48V/13.75A~+56V/11.80A</p>	WP222F11- 24ADJ-(+24V)	V = 24V	0 ~ 20.83A/27.5A	660W Fan less 500W Peak 750W	92%	Optional	N/A (Meet only) Class B	
	WP222F11- 30ADJ-(+30V)	V = 30V	0 ~ 16.67A/22A		92%	Optional		
	WP222F11- 48ADJ-(+48V)	V = 48V	0~10.42A/13.75A		92%	Optional		

Name of Series:	Model Name	Output			Efficiency (%)	+5Vsb	12Vaux	SAFETY EMI
		Voltage(V)	Current(A) (Fan less/Force air)	Power(W) V1+V2				
 <p>NEW</p> <p>4.5"x11"x1.7" Dual O/P 900W Peak 1000W(in process)</p> <p>AC I/P : 90 ~ 264Vac L x W x H: 274 x 115 x 43mm ADJ series can choose one of V1 total fixed at 660W. V1 O/P max. Watts(Vo*Io) in following ranges 2412ADJ:+22V/30.00A~+28V/23.60A 3012ADJ:+28V/23.60A~+35V/18.85A 4812ADJ:+48V/13.75A~+56V/11.80A</p>	WP222F12- 2412ADJ-(+24V)	V1 = 24V	0 ~ 20.83A/27.5A	900W Fan less 600W Peak 1000W	92%	Optional	N/A (Meet only) Class B	
		V2 = 12V	0 ~ 20A/30A					
	WP222F12- 3012ADJ-(+30V)	V1 = 30V	0 ~ 16.67A/22A		92%	Optional		
		V2 = 12V	0 ~ 20A/30A					
	WP222F12- 4812ADJ-(+48V)	V1 = 48V	0~10.42A/13.75A		92%	Optional		
		V2 = 12V	0 ~ 20A/30A					